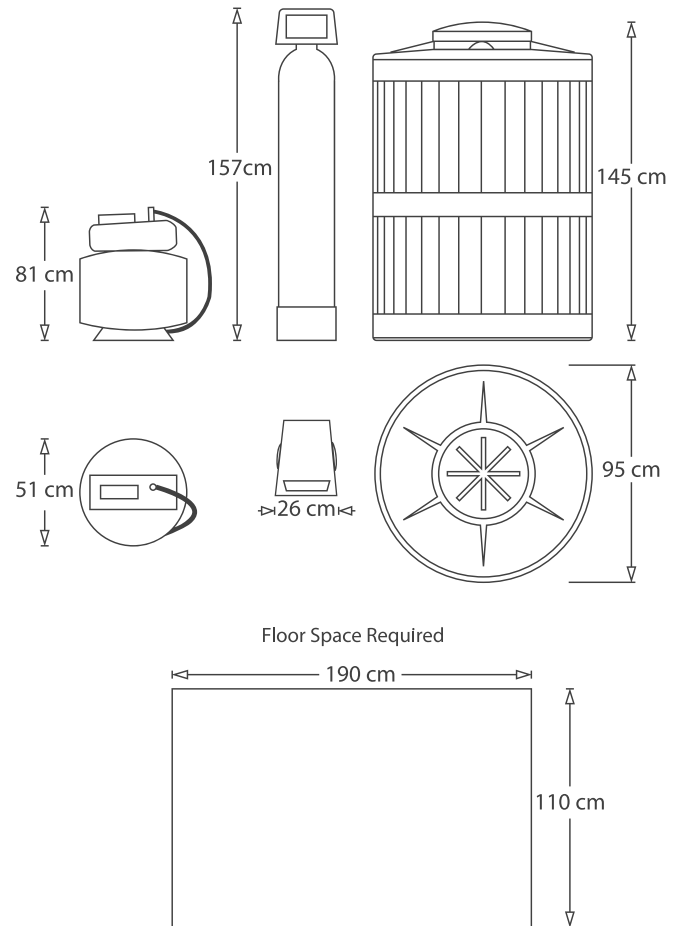


Birm Tank System



Information

This unit removes iron and manganese to a combined level of 10 milligrams per L. The pH of your water must be 7.5 or over.

What You Get

- 1 off 263 740 Autotrol Valve
- 1 off 10x44" Fiberglass Vessel
- 1 off 1.5 Cubic Foot Birm
- 1 off 200 Gal Settlement Tank
- 1 off 1HP Booster Pump

Important

This unit is recommended for your water at the time of testing, if the bacterial content of your water changes over time it may be necessary to upgrade or invest in a new unit.